

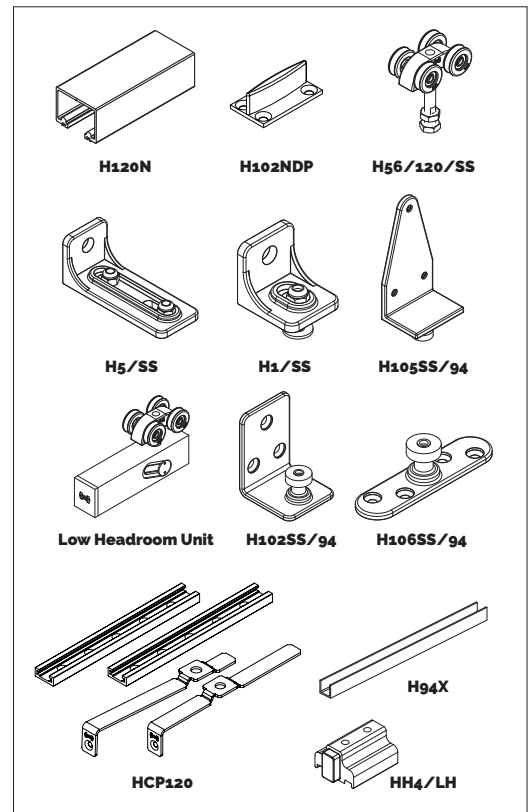
SOLTAIRE LOW HEADROOM 120

HENDERSON

For timber top hung sliding doors. Max 120kg.

APPLICATION

- Designed to create a modern minimalist finish with all parts concealed
- Can reduce the clearance between the track and the top of the door to 2mm
- Vertically adjustable sliding door kit for low or restricted headroom applications
- Used to maximise door height
- Engineered for easy installation and adjustment
- Designed to accommodate single or multiple panels on one or more tracks



HARDWARE SPECIFICATION

Track	H120N	Track no brush strip, anodised aluminium (2000, 3000, 4000 & 6000mm lengths)
	H120	Track for brush strip anodised aluminium (2000, 3000, 4000 & 6000mm lengths). Soffit fix spacing 600mm centres (maximum)
Brackets	H1/SS	Face fixed stainless steel
	H5/SS/120	Double face fixed stainless steel
		Starting 20mm from end of track fix at 600mm centres (maximum)
Hanger	H56/120/SS	For use with HCP120 kit
Stop	HH4/LH	For use with HCP120 kit
Guides	H102NDP	Nylon saw cut guide
	H102SS/94	Timber doors - wall mounted and multiple run guide
	H105SS/94	Timber doors - face mounted guide
	H106SS/94	Timber doors - concealed fixing with SS bearing
Channels	H94X	Aluminium (2000, 3000, 4000 & 6000mm lengths)
	H94P	Polypropylene (2000, 3000, 4000 & 6000mm lengths)
	H94PSC	Aluminium supporting channel and polypropylene (2000, 3000, 4000 & 6000mm lengths)
Accessories		
Interlocking Seal	H59BZ/4800	Bronze anodised (4800mm to suit typical 2400mm door height)
	H59CA/4800	Clear anodised aluminium (4800mm to suit typical 2400mm door height)
		Drilled and countersunk. Includes brush seal.

DOOR SPECIFICATION

Track System	Low Headroom 120
For Individual Doors:	
Max Door Weight	120kg
Door Thickness	35-48mm*
Max Door Height	2700mm
*Max door thickness only applies to some face fix bracket options.	

STANDARD SETS AND PACK

Pack No.	Application
HLH120	1 door pack. Pack comprises of 2x Low Headroom units, 2x end caps, 2x track stops, all screws and fitting instructions.
HCP120	Compact Low Headroom Kit. Pack comprises of 2 x apron housing, 2 x apron slide (for use with clip stop), 2 x apron slide (for use with soft close). This kit requires additional H56/120/SS hanger and _?_ stops.

SOLTAIRE LOW HEADROOM 120

DRAWING IS NOT TO SCALE

